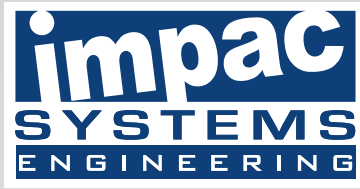


KUKA



Flexible, mobile, all-in-one training
for robotic 3D printing
KUKA Edu_Additive



KUKA Edu_Additive

_Fast, precise and cost-effective solution for additive manufacturing and training

Tailored for a new era of learning, the system includes an immersive curriculum that seamlessly integrates parametric design principles and industrial robotics concepts. Ideal for educational institutions seeking to prepare the workforce of tomorrow, Edu_Additive fosters growth within schools, universities, and corporate training settings. Whether you're an educator, student, or industry professional, our mobile training solution empowers you to delve into the realm of 3D printing and robotics with ease.

The **KUKA Edu_Additive** is a fully pre-configured system immediately ready for operation in education or production. The fully enclosed system is modular in design and developed for quick installation and use. Incremental module-based learning is included with support from One Off Robotics. Educational content requires no prior background in robotics or parametric programming.

Cell Features

- Automatic bed leveling
- Automatic nozzle cleaning
- Filament detection
- Active print cooling
- Quick release print bed
- Works with any 2.85 mm filament
- 1kg/hr Extruder
- Fits through any 36" door

Technical Overview

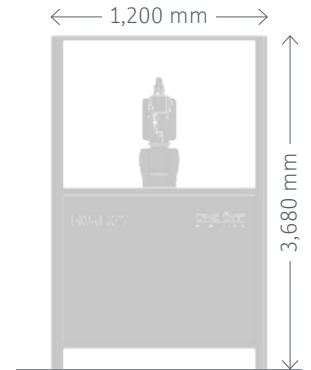
- 110V 15A
- 2.85mm filament
- Print up to 450 °C
- System Weight: 390 kg
- System Dimensions: 2'11" X 4' X 6'1"

Support From One Off Robotics

- Curriculum
- Training
- Print consulting
- Path planning as a service

Broad Course Topics:

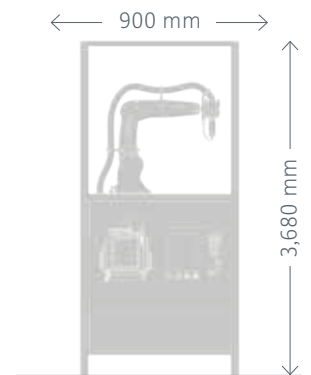
- Basics of Robot Operation
- Introduction to Parametric Modeling in Grasshopper
- Path Planning and Programming
- Introduction to Additive Manufacturing



KR 4 AGILUS

KR 4 R600

Max. Reach	601 mm
Rated Payload	4.63 kg
Pose repeatability	±0.015 mm
No. of axes	6
Robot footprint	179 mm x 179 mm
Weight (robot only exc. controller etc.)	27 kg
Controller	KR C5 Micro



www.impacsystems.com

254.742.2050

info@impacsystems.com

Information on the nature and usability of the products does not represent a guarantee of properties, but is for informational purposes only. The respective subject matter of the contract is decisive for the scope of our deliveries. Technical data and illustrations are non-binding with regard to deliveries. Please contact KUKA for configuration details.

